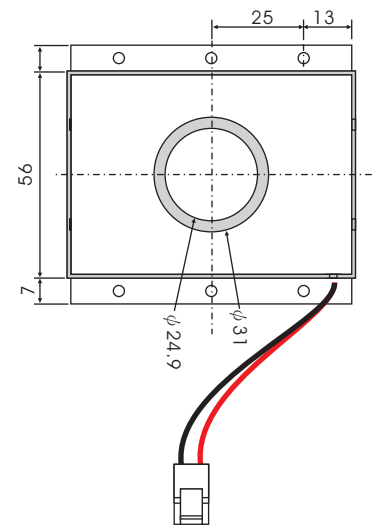
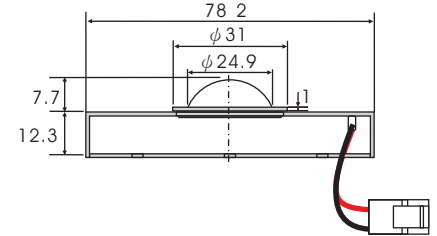
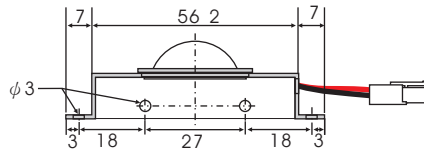
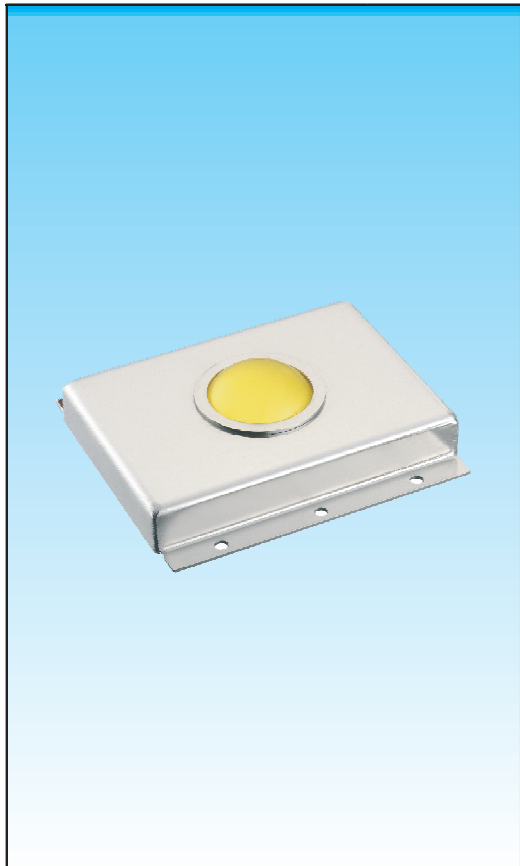


High Power 100W LED Module



IF=2800mA Ta=25°C

Device No	Color		Wavelength(nm)		VF	Brightness(lm)	View
	Emitter	Lens	λ_p	λ_d	Typical (V)	IV	Angle 2 θ 1/2



UNIT:mm

HPBM-19K100BW	Cool White	Yellow diffused	8000°K	35	6500	120
HPBM-19K100BWG	Cool White		8000°K	33	7200	
HPBM-19K100W	Pure White		6000°K	35	6500	
HPBM-19K100WG	Pure White		6000°K	33	7200	
HPBM-19K100NW	Nature White		4000°K	35	6350	
HPBM-19K100NWG	Nature White		4000°K	33	7030	
HPBM-19K100NW/CRI 90	Nature White		4000°K	35	5240	
HPBM-19K100NWG/CRI 90	Nature White		4000°K	33	5800	